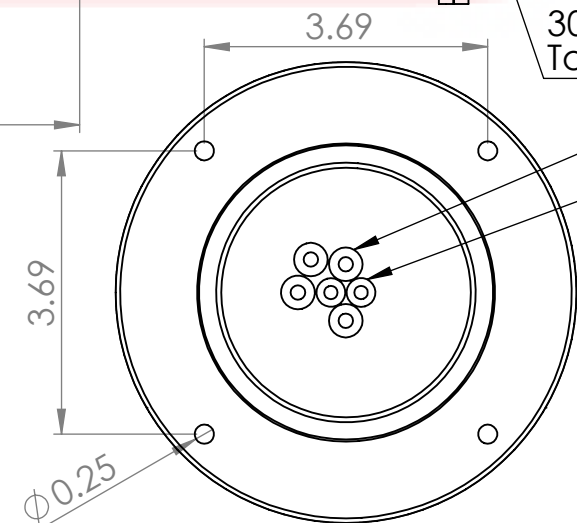


Isometric View
(For reference purpose only)



304SS tube connected to CBS NSF Flexible Total Barrier Tubing to 15lbs of Restriction
16 beer lines: 3/16" ID x 7/16" OD
2 recirculation lines: 3/8" OD ACR copper

DETAIL B
SCALE 2 : 5

Suggested Drip Tray:
2 x BB701628 - 28" x 8" (6" C/O-C) BSS Drip Tray
2 x BB702628 - 28" x 8" (6" C/O-C) BSS Spray Drip Tray



Name		Date		Title:	
Drawn by:	Canadian Beverage Supply Inc.	06/17/2020		16 Tap Metro M Tower	
Approved by:		VP Sales		Part Number:	
Material:	304 SS	Finish:	Polished SS	BB102715-16SSCK	
Unless otherwise mentioned, dimensions are inches				Revision:	
SCALE: 1:5				SHEET 1 OF 1	

